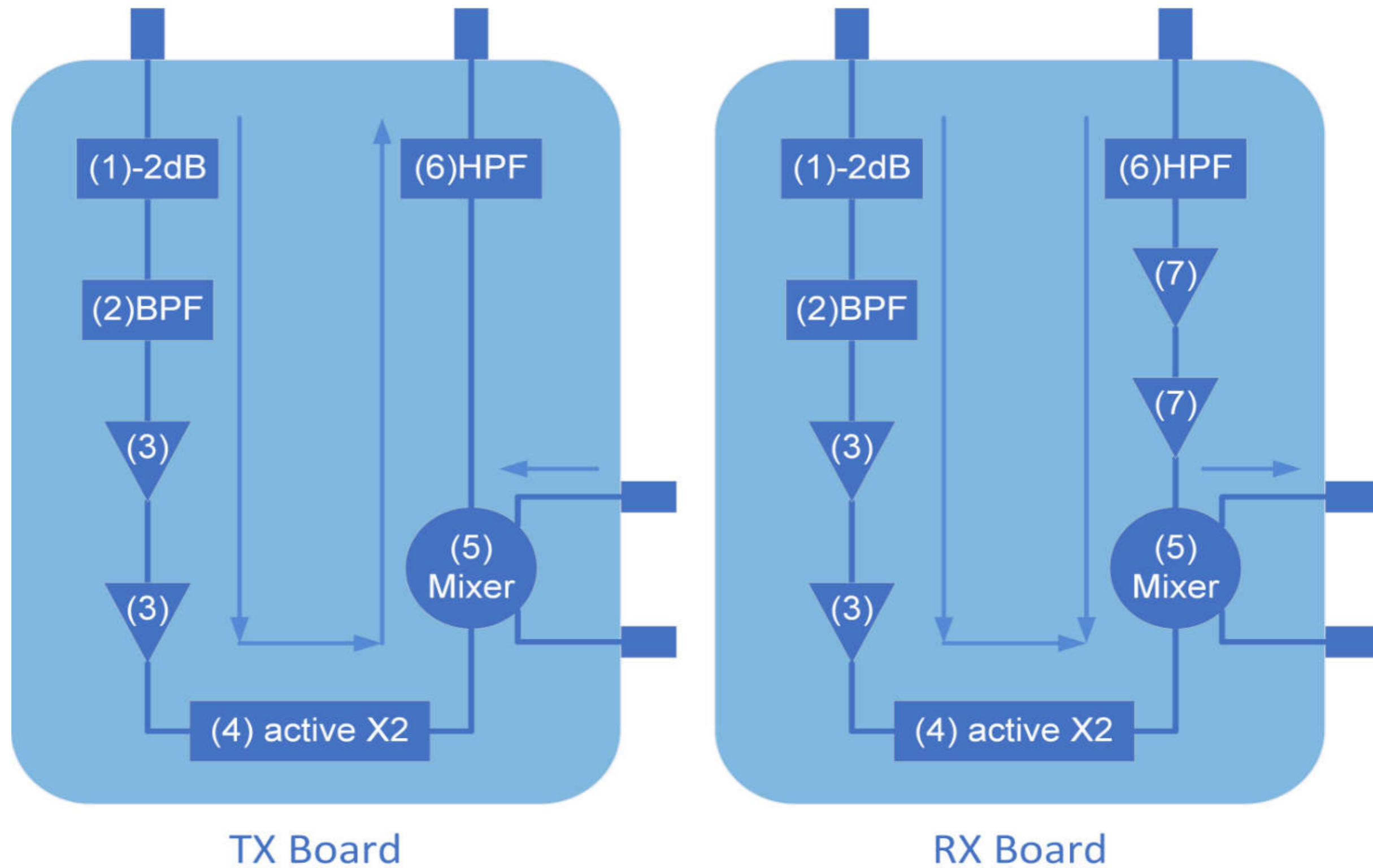


# 15GHz IF DEV KIT

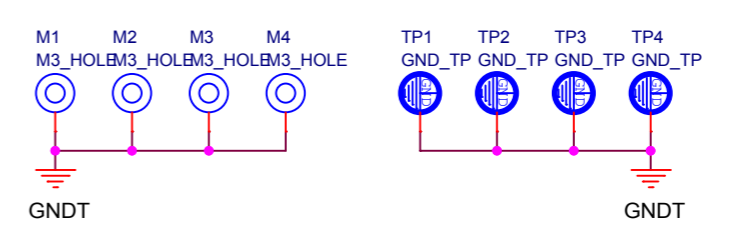
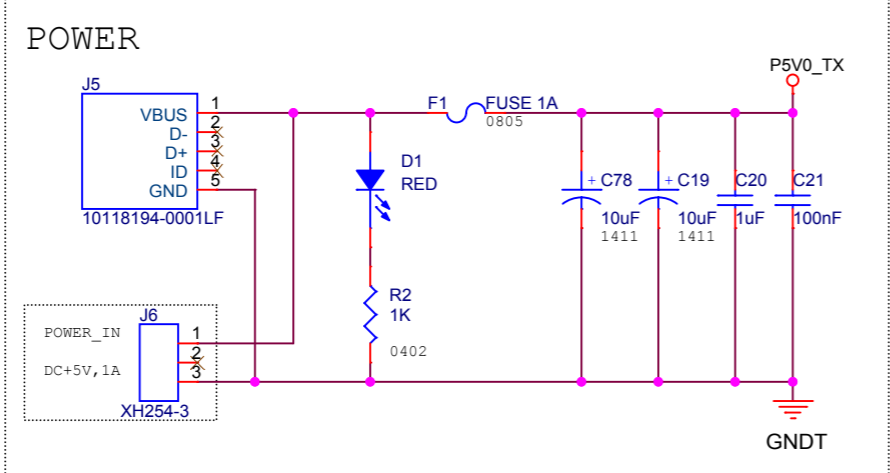
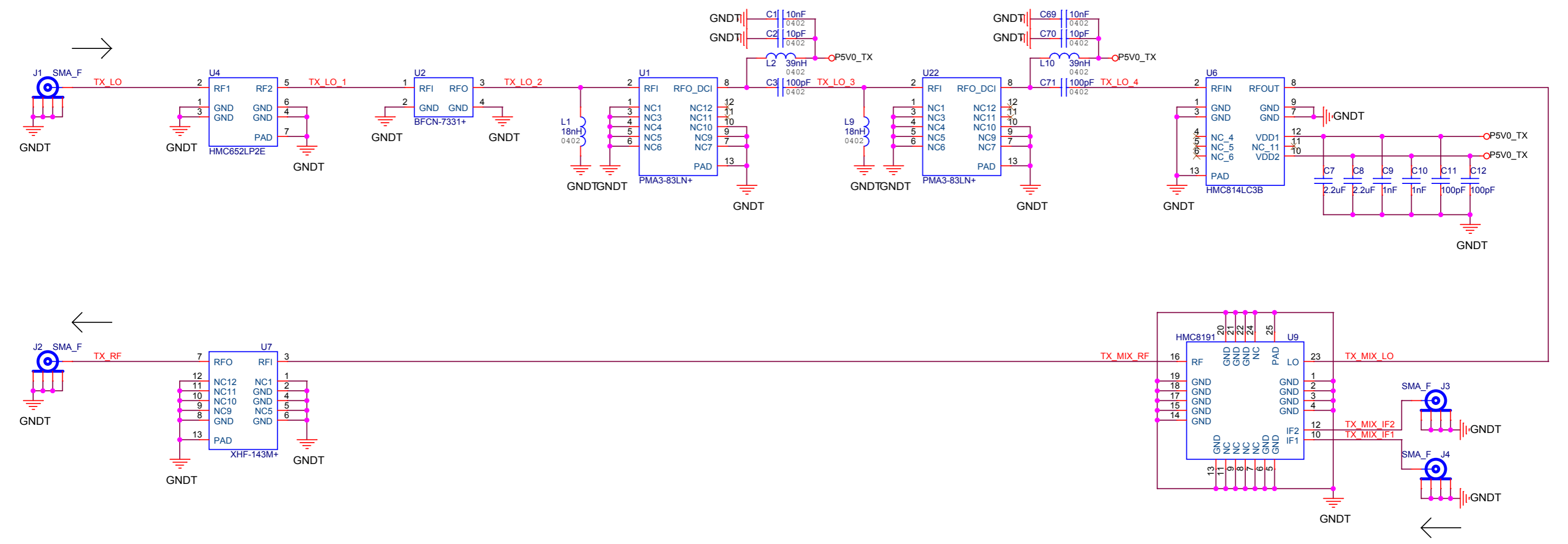
Baseband to 15GHz IF with 7.5GHz Clock  
VER:HW30. (Independent TX and RX)



- (1) ATTENUATOR: HMC652LP2E
- (2) BPF: BFCN-7331+
- (3) AMP: PMA3-83LN+
- (4) MULTIPLEXER: HMC814LC3B

- (5) MIXER: HMC8191
- (6) HPF: XHF-143M+
- (7) AMP: AVA-183+

Title		
15GIFKIT		
Size	EE Designer	Rev
A3	Chen,Cunhui	A
Date:	Wednesday, April 24, 2019	Sheet 1 of 3



Title		
15GIFKIT		
Size	EE Designer Chen,Cunhui	Rev A
Date:	Wednesday, April 24, 2019	Sheet 2 of 3

